

# HealthyAir® Air Purifier

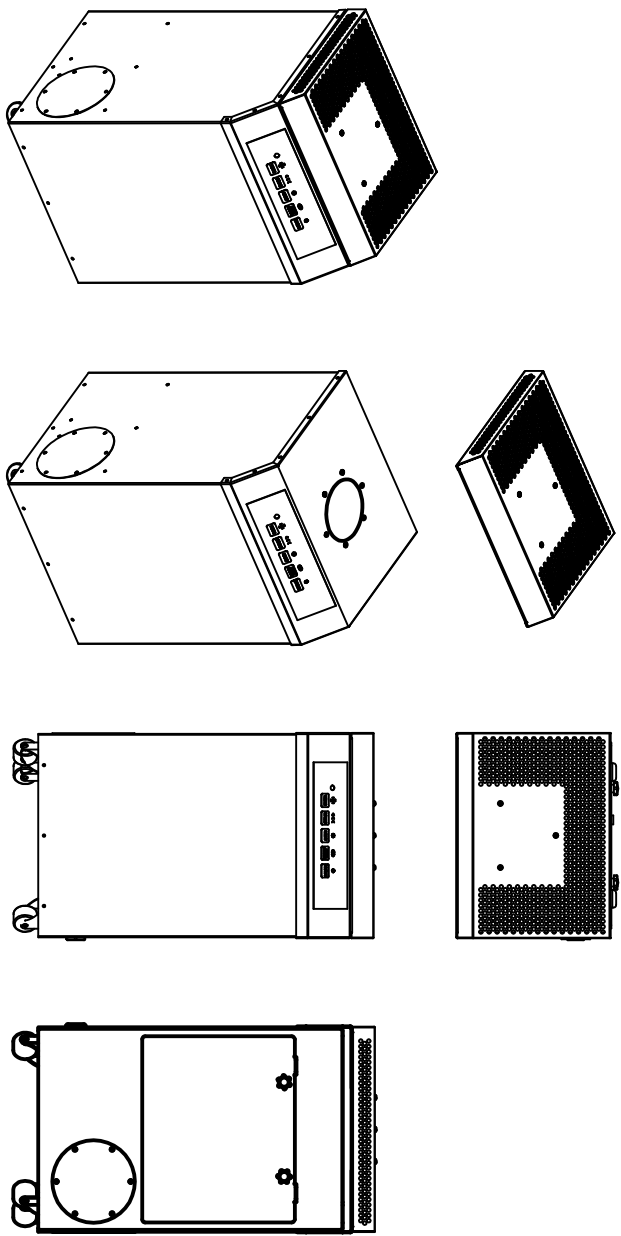
Model No.: HA-SCP-G5-AEP  
 Replacement Filter Model No.:  
 HA-IFM-1111-AE (Higher HEPA Efficiency)  
 HA-IFM-1111-V (Higher VOC Adsorption)

Color Options:  
 HA-SCP-G5-AEP-W (White)  
 HA-SCP-G5-AEP-B (Black)  
 HA-SCP-G5-AEP-G (Gray)

Unit Weight: 43 lbs.  
 Dimensions: 12 $\frac{1}{2}$ " L x 13 $\frac{3}{4}$ " W x 22 $\frac{1}{2}$ " H

Fan Speed	High	Med	Low
Power Consumption (W)	105	92	75
CFM Total (Cubic Feet/Min.)	150	115	85
Voltage/Frequency:	120V/60 HZ		

- Patented 3-Stage eHEPA® Filter Technology
  - Pre-Filter
  - eHEPA Filter - H13 Rated HEPA
  - Activated Carbon Filter
- Recirculating Ventilation with bottom vent discharge is default configuration  
 Unit may be configured for Outside Ventilation for connection to exhaust ducting



Refer to the HealthyAir® Air Purifier Manual for Installation Instructions.

HealthyAir® distributed by



Aerovex Systems Inc.  
 (800-288-2023)

## Submittal

Date:  
 Submitted To:  
 Attention:  
 Address:  
 Tel:  
 Email:

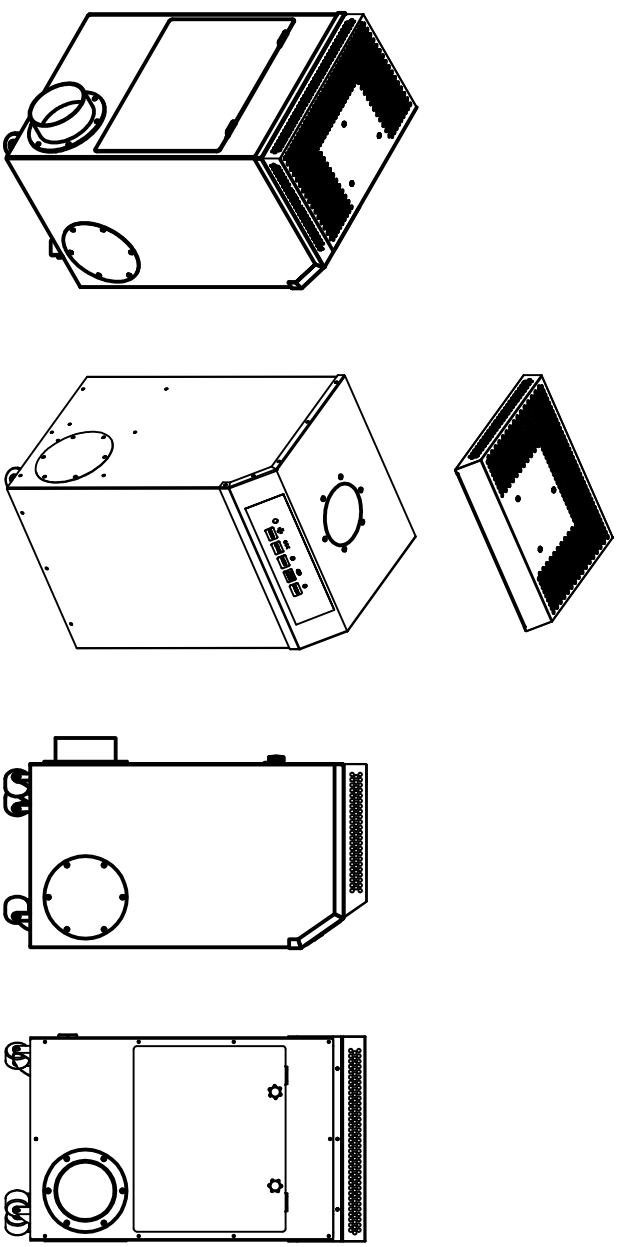
## Project

Quote No.:  
 Quote Date:  
 Purchase Order:  
 PO Date:  
 Invoice No.:  
 Invoice Date:

This print is the property of Aerovex Systems Inc. It shall not be traced or reproduced in any manner, nor shall it be submitted to outside parties for examination without our consent. It shall be used only as a means of reference to work designed or furnished by Aerovex Systems.

# HealthyAir® Air Purifier - Outside Ventilation Configuration

Model No.:	HA-SCP-G5-AEP	Fan Speed	High	Med	Low
Replacement Filter Model No.:		Power Consumption (W)	105	92	75
	HA-IFM-1111-AE (Higher HEPA Efficiency)	CFM Total (Cubic Feet/Min.)	150	115	85
	HA-IFM-1111-V (Higher VOC Adsorption)				
Color Options:		Voltage/Frequency:	120V/60 HZ		
	HA-SCP-G5-AEP-W (White)	Patented 3-Stage eHEPA® Filter Technology			
	HA-SCP-G5-AEP-B (Black)	• Pre-Filter			
	HA-SCP-G5-AEP-G (Gray)	• eHEPA Filter - H13 Rated HEPA			
Unit Weight:	43 lbs.	• Activated Carbon Filter			
Dimensions:	12½" L x 13¾" W x 22½" H	Recirculating Ventilation with bottom vent discharge is default configuration. Unit may be configured for Outside Ventilation for connection to exhaust ducting 4"Ø Outlet Flange provided for connection to exhaust ducting			



Refer to the HealthyAir® Air Purifier Manual for Installation Instructions.

Healthy Air Inc.  
 (800) 259-2535 Ext. 1  
 www.HealthyAir.com

**Submittal**

Date:  
 Submitted To:  
 Attention:  
 Address:  
 Tel:  
 Email:

**Project**

Quote No.:  
 Quote Date:  
 Purchase Order:  
 PO Date:  
 Invoice No.:  
 Invoice Date:

This print is the property of Aerovex Systems Inc. It shall not be traced or reproduced in any manner, nor shall it be submitted to outside parties for examination without our consent. It shall be used only as a means of reference to work designed or furnished by Aerovex Systems.