



# Source Capture<sup>®</sup> Vent Single Inlet

Owner's Manual: HA-SCV-G1-WS  
Patent Pending



Healthy Air Inc.  
800-259-2535  
[www.HealthyAir.com](http://www.HealthyAir.com)

# HealthyAir<sup>®</sup>

## Model HA-SCV-G1-WS

### Source Capture<sup>®</sup> Vent Single Inlet

#### Patent Pending

#### Table of Contents

Installation Notice	1
Technical Specifications	1
Packaging Reference	2
Component Reference	3
Installation Instructions	4-12
Operation Guidelines	13
Maintenance	14
1-Year Limited Warranty	15
Product Registration Form	16

[www.HealthyAir.com](http://www.HealthyAir.com)

# I. Installation Notice

Read the Owner's Manual and Installation Instructions carefully. Failure to follow these instructions could cause a malfunction of the vent or unsatisfactory performance. Follow a regular service and maintenance schedule for efficient operation.

For safety reasons, unplug the power cord from the electric outlet socket under the following conditions:

- When not in use for a long period of time
- When cleaning
- When moving the air purifier

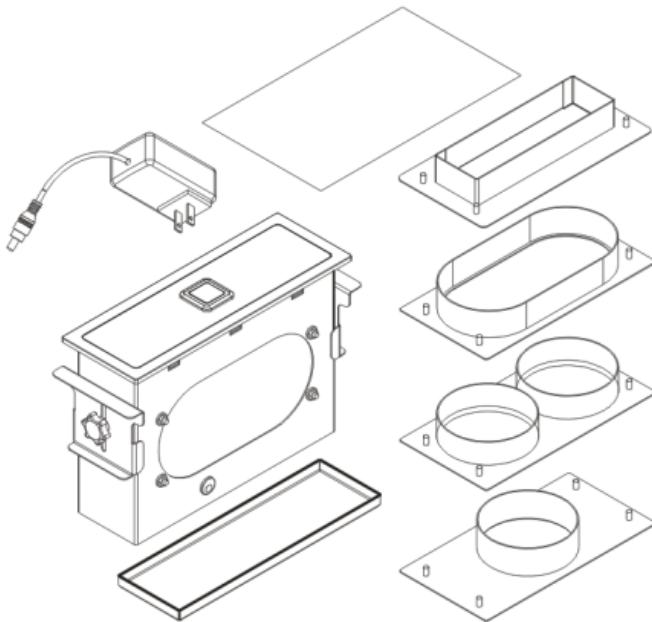
# II. Technical Specifications

Model Number	HA-SVC-G1-WS
Rated Voltage	12V DC
Power Consumption	3W
Weight	3 lbs. (1.4 kg)
Base Dimensions	8"x2"x6" (200x50x150 mm)

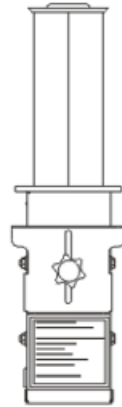
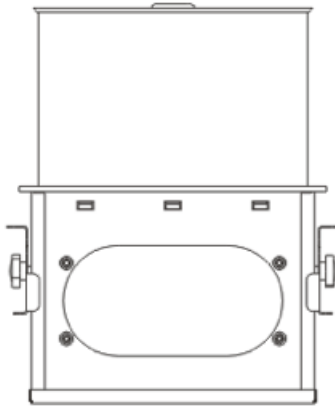
### III. Packaging Reference

The Source Capture Vent is shipped in one (1) package that contains the following contents:

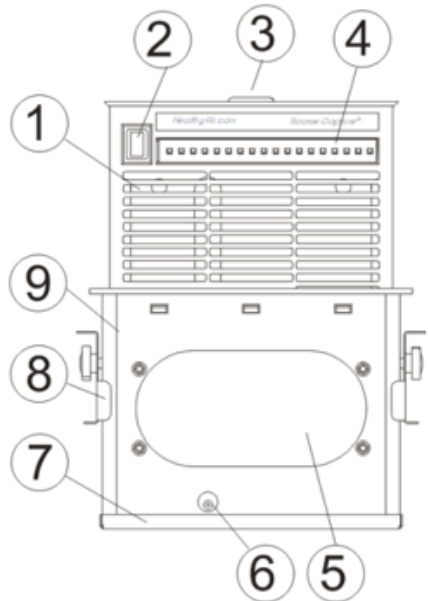
- Source Capture Vent – Single Unit
- Power Adapter
- Cover Plate (optional)
- Flange (optional)



## IV. Component Reference



1. Inlet Vent
2. Light Switch
3. Pop-Up Knob
4. LED Light
5. Outlet Port
6. Power Socket
7. Access Cover
8. Mounting Bracket
9. Housing



## V. Installation Instructions

- 5.1 To mount the Source Capture<sup>®</sup> Vent, cut an opening in table-top or preferred mounting surface. The dimensions of the cut-out are 8-3/8" x 2-1/2", as shown in Fig. 1.

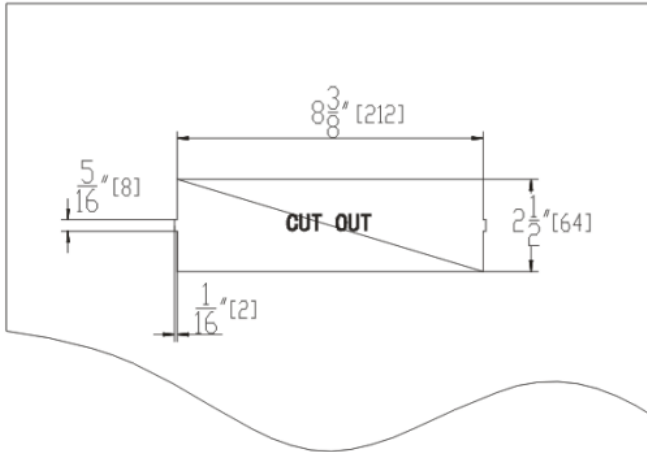


Fig. 1 - Cut-Out Dimensions

- 5.2 To flush-mount the vent, such that the top of the unit is flush with the table top or surface, produce a  $\frac{3}{16}"$  rebate around the perimeter of the cut-out, as shown in Fig. 2.



Fig. 2 – Rebate for Flush-Mount

## V. Installation Instructions

- 5.3 Unscrew the two (2) Thumb Screws to remove the two (2) Mounting Brackets from the unit, as shown in Fig. 3.

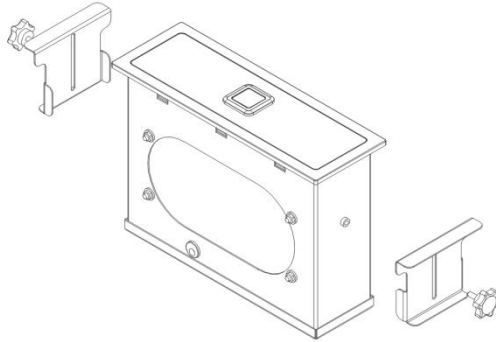


Fig. 3 – Remove Mounting Brackets

- 5.4 Remove the Access Cover from bottom of the Source Capture<sup>®</sup> Vent, as shown in Fig. 4.

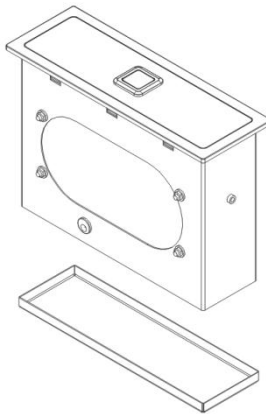


Fig. 4 – Remove Access Cover

## V. Installation Instructions

- 5.5 Install the Source Capture<sup>®</sup> Vent in the table by inserting it into the cut-out, as shown in Fig. 5.

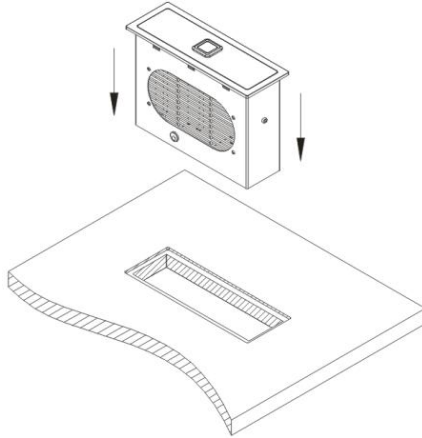


Fig. 5 – Install Source Capture<sup>®</sup> Vent

- 5.6 Reattach the two (2) Mounting Brackets to the unit by screwing in the Thumb Screws, as shown in Fig. 6.

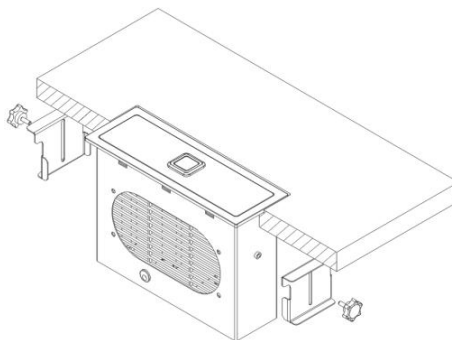


Fig. 6 – Reattach Mounting Brackets



## V. Installation Instructions

- 5.7 Slide the Mounting Brackets up against the bottom of the table. Then tighten the Thumb Screws to secure the Mounting Brackets, as shown in Fig. 7.

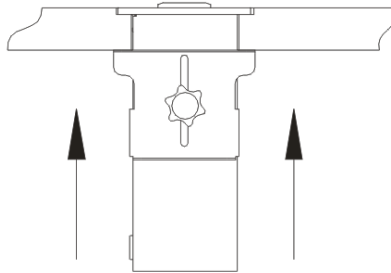


Fig. 7 – Secure Mounting Brackets

- 5.8 The Source Capture<sup>®</sup> Vent should now be firmly installed in the table or mounting surface

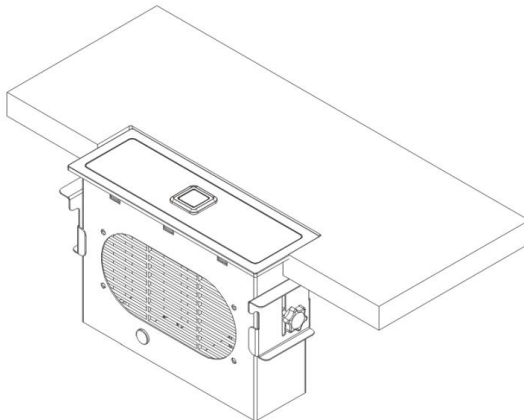


Fig. 8 – Source Capture<sup>®</sup> Vent Installed

## V. Installation Instructions

5.9 Push the Pop-Up Knob down to release it, as shown in Fig. 9.

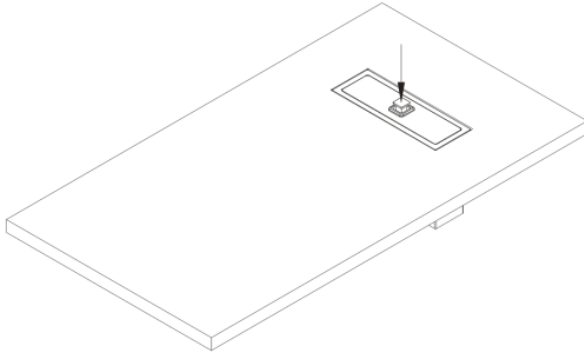


Fig. 9 – Release Pop-up Knob

5.10 Grab the Pop-Up Knob and pull it straight up to pull the Inlet Vent from the Housing component. Pull the Inlet Vent up as far as it goes, such that it is in the active position as shown in Fig. 10.

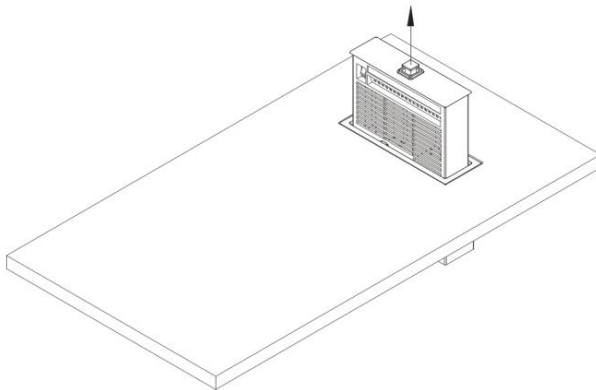


Fig. 10 – Inlet Vent in Active Position

## V. Installation Instructions

- 5.11 Remove the Access Cover, which is secured by two magnets, from the bottom of the unit. There are two (2) Outlet Ports on the unit, with one on each side of the Housing. Generally, one shall be blanked-off and the other used for connection with a duct to the HealthyAir<sup>®</sup> Air Purification System. Install the Blank-Off Plate on one side and the Outlet Flange on the other side, by passing them thru the opening at the bottom of the Housing, as shown in Fig. 11.1, and mounting them on the (4) Stud Screws, respectively. Using the Hex Nuts, tighten and secure the Outlet Flange and the Blank-Off Plate. Finally, reinstall the Access Cover.

Note that, there are four types of Outlet Flanges available; a Single Circular Outlet Flange, Dual Circular Outlet Flange, Oval Outlet Flange, and Rectangular Outlet Flange.

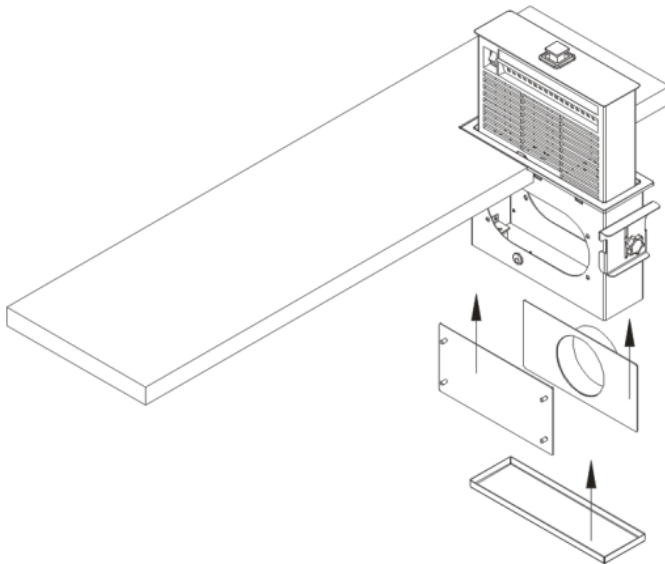


Fig. 11.1 – Installation of Blank-Off Plate and Outlet Flange

## V. Installation Instructions

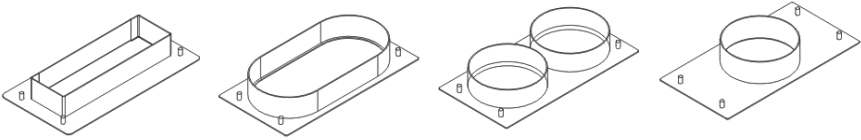


Fig. 11.2 – Outlet Flange Options

5.12 Duct the outlet of the Source Capture<sup>®</sup> Vent to the inlet of the HealthyAir<sup>®</sup> Air Purification System, as shown in Fig. 12.

Note that, the HealthyAir<sup>®</sup> Air Purification System can either be located near the table or in a remote location, and the duct geometry and size will naturally vary depending on the type of Outlet Flange utilized and the required duct length.

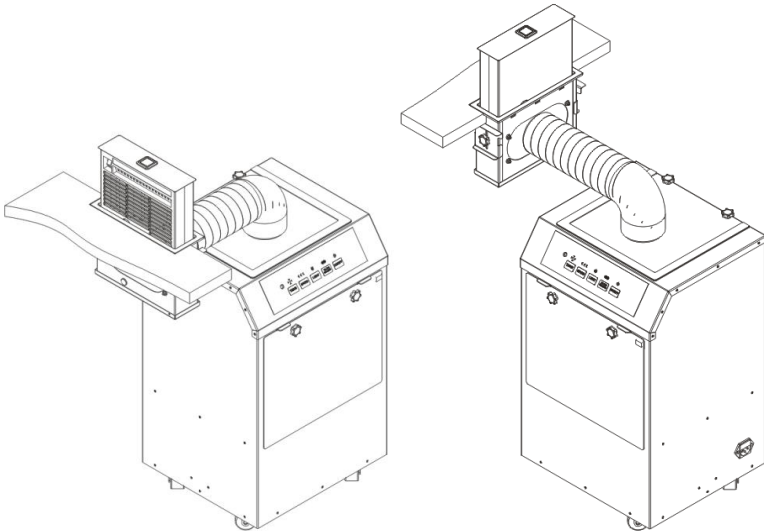


Fig. 12 – Duct Connection to HealthyAir<sup>®</sup> Unit

## V. Installation Instructions

- 5.13 Plug the Power Adaptor into the Power Socket, located on the bottom of the unit, to power the LED light.

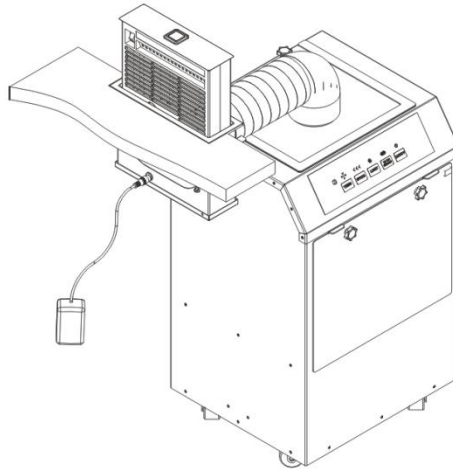


Fig. 13 – Plug-in Power Cord

If the Source Capture<sup>®</sup> Vent is directly installed on the HealthyAir<sup>®</sup> System, as shown in Fig. 13.2, the LED Cord located in the Housing can be directly plugged into the LED Cord located in the inlet of the HealthyAir<sup>®</sup> System.

Installation with HealthyAir<sup>®</sup> Ceiling Mount System: Note that, the Source Capture<sup>®</sup> Vent may also be integrated with the HealthyAir<sup>®</sup> Ceiling Mount Source Capture System, as shown in Fig. 14. Contact Healthy Air Inc. for additional information for custom installations.

## V. Installation Instructions

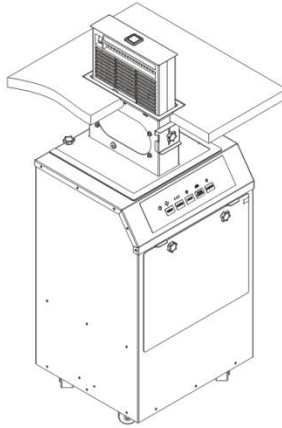


Fig. 13.2 –Connect LED Cord to LED Cord in HealthyAir® System

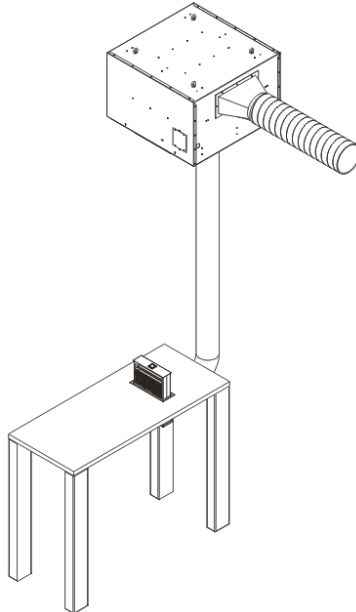


Fig 14 – Connection to HealthyAir® Ceiling Mount System

# VI. Operation Guidelines

## Optimal Effectiveness

For optimal effectiveness all work that generates fine particulate and fumes should be performed within 12", and preferably 6", of the inlet of the Source Capture<sup>®</sup> Vent.

## Activation of Source Capture<sup>®</sup> Vent

- 6.1 Plug the Power Cord into the Power Socket, located on the bottom of the side panel of the unit, and then plug the other end of the cord into a wall power socket.
  
- 6.2 To position the Source Capture<sup>®</sup> Vent in the active-state, simply push the spring-loaded Pop-up Knob located on the top panel of the unit, grab the knob, and pull the knob straight up to pull the Inlet Vent from the Housing Component.
  
- 6.3 Turn the LED light on by pressing the On/Off Switch located on the face on the Inlet Vent.
  
- 6.4 Power on the HealthyAir<sup>®</sup> Air Purification System to generate airflow and activate the Source Capture<sup>®</sup> Vent.

## **VII. Maintenance**

### **Cleaning Source Capture<sup>®</sup> Vent Housing**

Once a month inspect the Housing for particulate accumulation. To do so, first unplug the Power Adaptor from the power socket and then place a waste container below the Access Cover to catch any dust that drops down after the Access Cover is removed.

Once the Access Cover is removed, empty the Housing of all debris. A vacuum cleaner may be used to suck all the dust out of the Housing.

After the Housing have been satisfactorily cleaned, replace the Access Cover and plug the Power Adaptor into the power socket. The unit is then ready for operation.



## **Healthy Air Inc. 1-Year Limited Warranty**

Healthy Air Inc. only makes this 1-Year Limited Warranty ("Limited Warranty") to the original retail purchaser who submits the enclosed Warranty Registration Card within 10 days of purchase by email to Sales@HealthyAir.com.

This Limited Warranty applies only to the repair or replacement of any manufactured or supplied part of this product which, upon inspection by Healthy Air Inc. authorized personnel, proves to have failed in normal use due to defects in material or workmanship.

The sole responsibility of Healthy Air Inc. under this Limited Warranty is, in its sole discretion, to either repair or replace a duly registered product (or defective part thereof) with the same or a comparable model within a reasonable period of time, subject to the following exclusions, limitations, statutory rights and warranty claim procedures.

This Limited Warranty is exclusive, and Healthy Air Inc. expressly disclaims all other or additional warranties, whether written or oral, expressed or implied, including, but not limited to, warranties of merchantability, workmanship, or fitness for a particulate purpose.

Retain proof of purchase and the original box and packing materials.

### **Exclusions to the Warranty**

This Limited Warranty does not apply, or is void, as to any product or part damaged by (1) accident, misuse, abuse, or lack of reasonable care or normal maintenance; (2) installation or operation under conditions other than those recommended by Healthy Air Inc.; (3) subjecting the product to any but the specified voltage; (4) servicing or disassembly by unauthorized personnel; (5) removing or defacing the serial number; or (6) modifying the original factory-assembled unit in any way.

This Limited Warranty does not apply to shipping charges for product shipped to or from the manufacturer or designated distributor in connection with warranty claims nor does it apply to any damages that occur during such shipment.

This Limited Warranty does not apply to installation, removal, reinstallation, and/or related expenses. This Limited Warranty does not apply to replacement filters.

# **Healthy Air Inc.**

## **1-Year Limited Warranty**

### **Product Registration Form**

Please complete the Product Registration Form and submit it to Healthy Air Inc. within ten (10) days of the original purchase, to validate 1-Year Limited Warranty.

Submit the completed form via email by sending a scanned image or photograph to Sales@HealthyAir.com.

Note that, the Model Number and Serial Number are written on the sticker located at the bottom of the side panel of the unit.

Please contact us at (800) 259-2535 or visit [www.HealthyAir.com](http://www.HealthyAir.com) for Customer Service and Orders.

Name:	
Business Name:	
Street Address:	
City, State, Zip:	
Phone Number:	
Email Address:	
Date of Purchase:	
Purchased From:	
Model Number:	
Serial Number:	