

Specifications:

Model number: HA-CP-G2-W

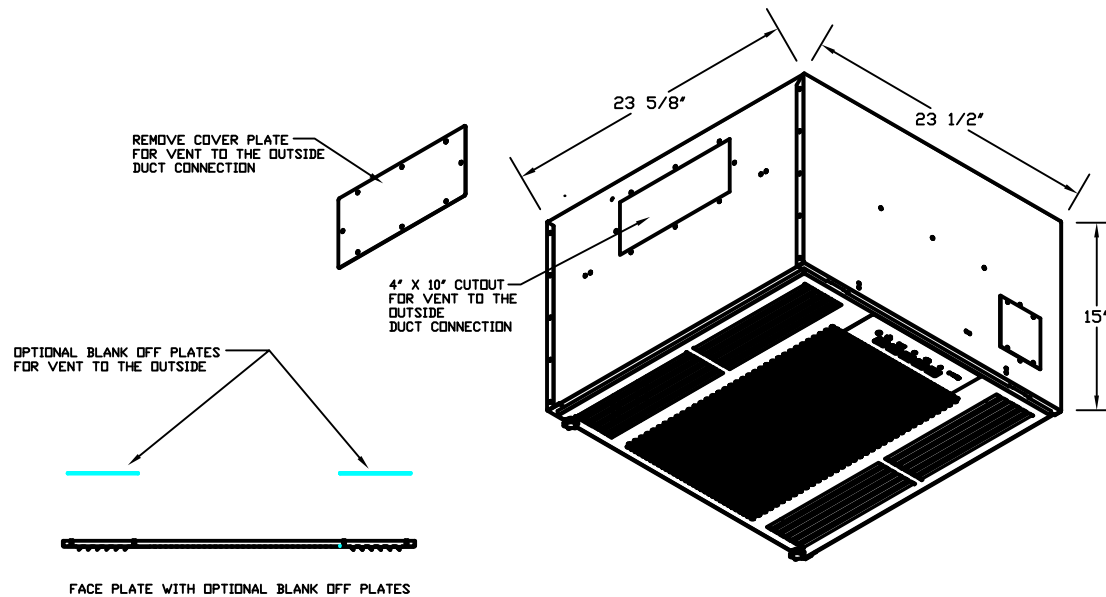
Installation: RECIRCULATING Or VENT TO THE OUTSIDE WITH OPTIONAL KIT

Weight: 75 lbs.

Voltage / Frequency: 120V/60 HZ

Fan Speeds	High	Med	Low
Power Consumption (W):	174	147	112
CFM Total (Cubic Feet /Minute)	506	422	305

For Installation and Wiring diagram, please refer to the Healthy Air Installation Manual



Submittal

Submitted To:

Attention Of:

Submittal Date:

Approved For: Reference_____

Approved For: Construction_____

PURCHASER NAME AND ADDRESS

PROJECT MANAGER NAME

PROJECT NAME AND ADDRESS

Purchaser Order Number:

Purchaser Project Number:

Date:

Sheet No

01

This print is the property of Aerovex Systems . It shall not be traced or reproduced in any manner, nor shall it be submitted to outside parties for examination without our consent. It shall be used only as a means of reference to work designed or furnished by Healthy Air.

Aerovex Systems, Inc
 1-800-288-2023
 www.aerovexsystems.com
 info@aerovexsystems.com