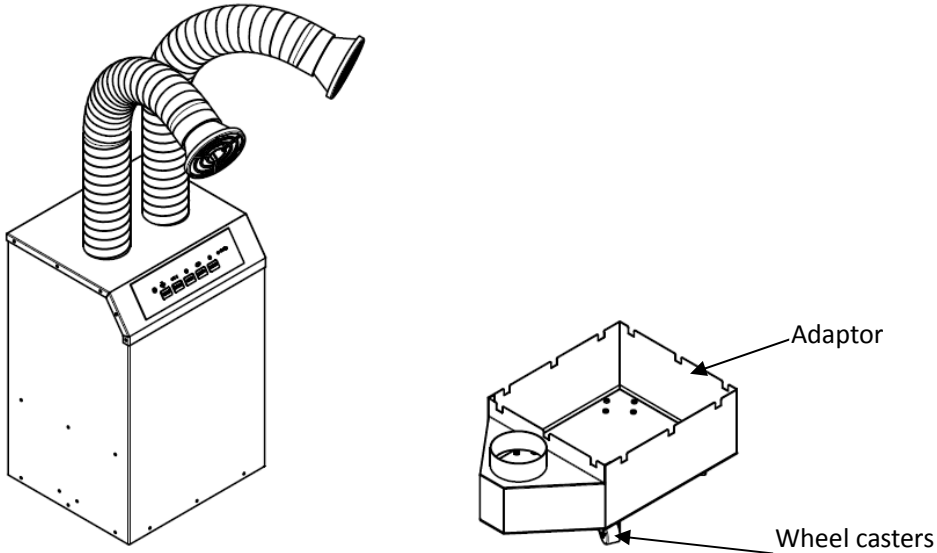


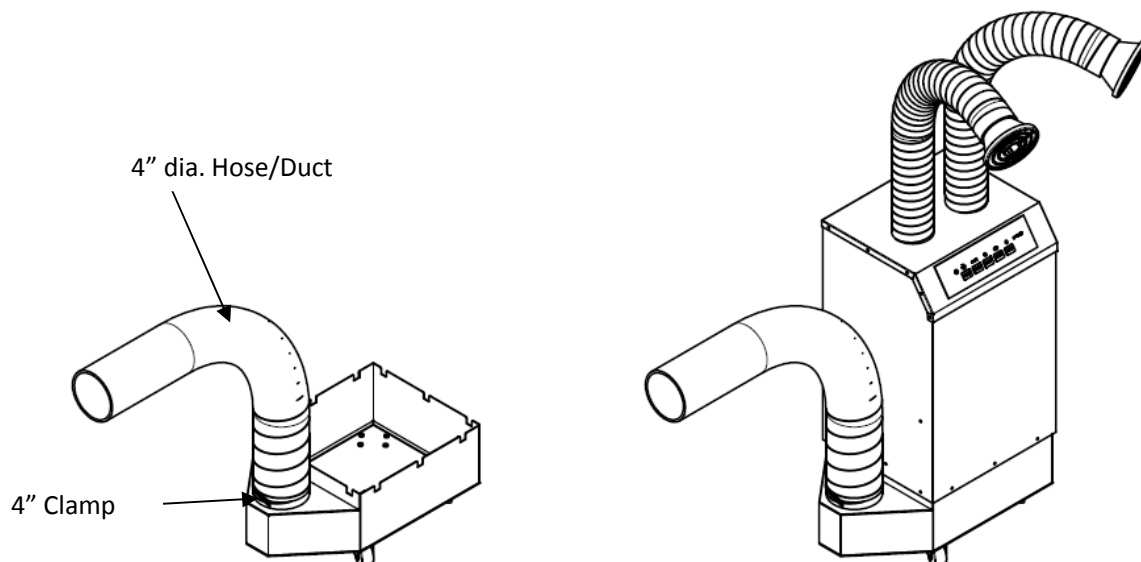
## Installation of Vent to the outside Adaptor with Healthy Air units For Nail Salon Application

1. First remove each wheels on the base plate of standard unit, then re-install these wheel casters on the adaptor as shown in sketch "P1".



"P1"

2. Place the Healthy Air unit onto the adaptor unit as shown below in sketch "P2". Then install a 4" dia. hose/ duct on the round outlet on the adaptor (supplied by customer). Use clamp to fix the hose/duct and round tube firmly together. Run the hose/duct to outside to allow venting to the outdoor per IMC codes.



P.2