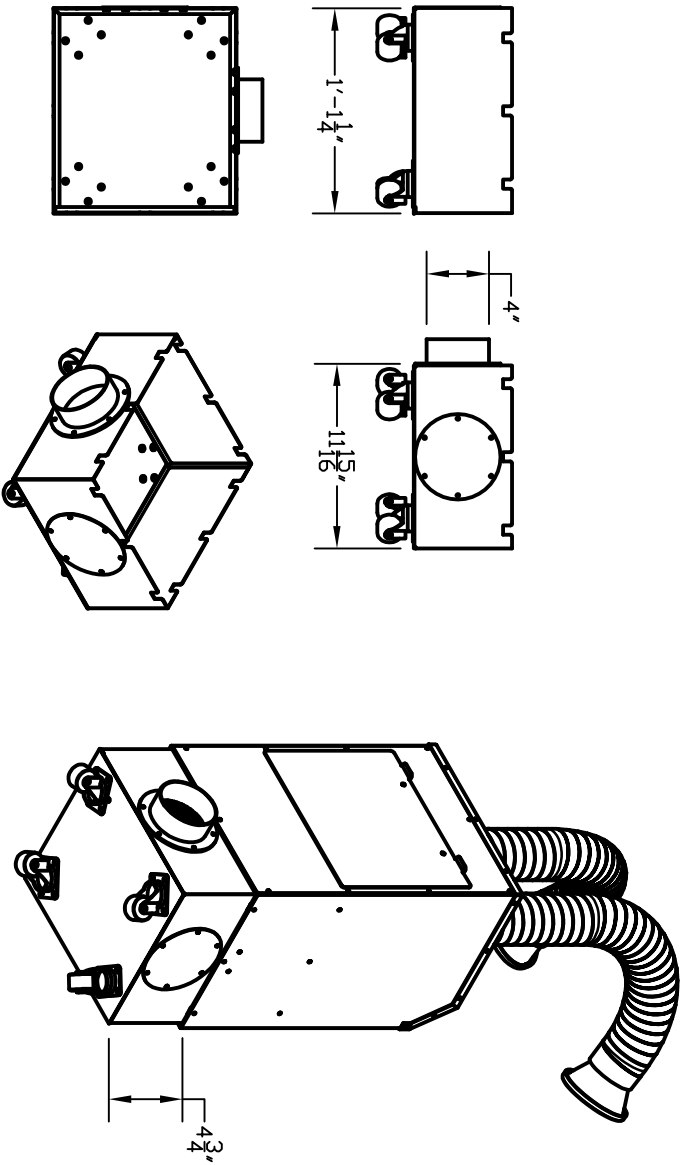


Specifications:

Model number: Vent to the outside Adaptor, Style 'B'
 Installation: For Installation with unit HA-SCP-G3, Single and Double Ports
 Weight: 15 lbs.
 Duct Connection: 4" diameter
 Color: White, Black or Gray

For Installation and Wiring diagram, please refer to the Healthy Air Installation Manual



Submittal

Submitted To: _____
 Attention Of: _____
 Submittal Date: _____
 Approved For: _____ Reference _____
 Approved For: _____ Construction _____

PURCHASER NAME AND ADDRESS

PROJECT MANAGER NAME

PROJECT NAME AND ADDRESS

Purchaser Order Number:	Sheet No
Purchaser Project Number:	01
Healthy Air Project Number:	
Date:	

AEROVEX SYSTEMS, INC
 1-800-288-2023
 INFO@AEROVEXSYSTEMS.COM
 WWW.AEROVEXSYSTEMS.COM